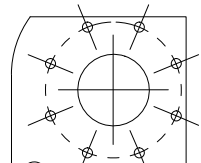
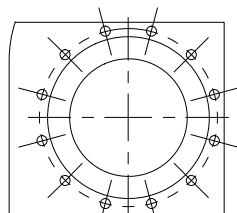


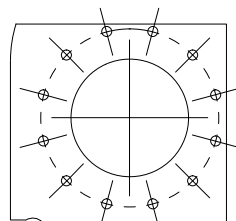
F1-F4 & B1-B4
8" ANSI CLASS 150
CLADDED OR
RUBBERLINED



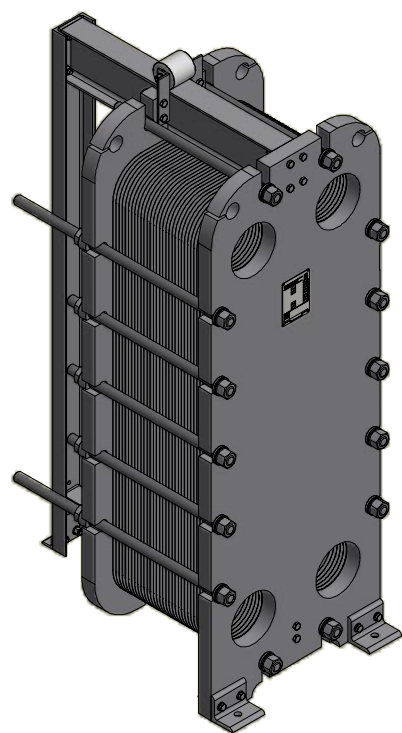
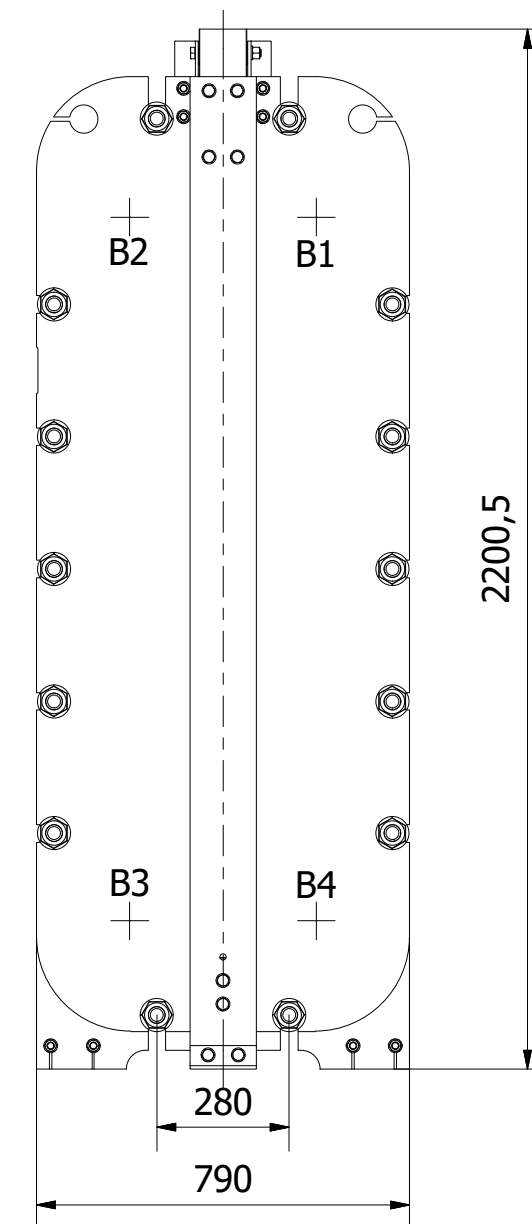
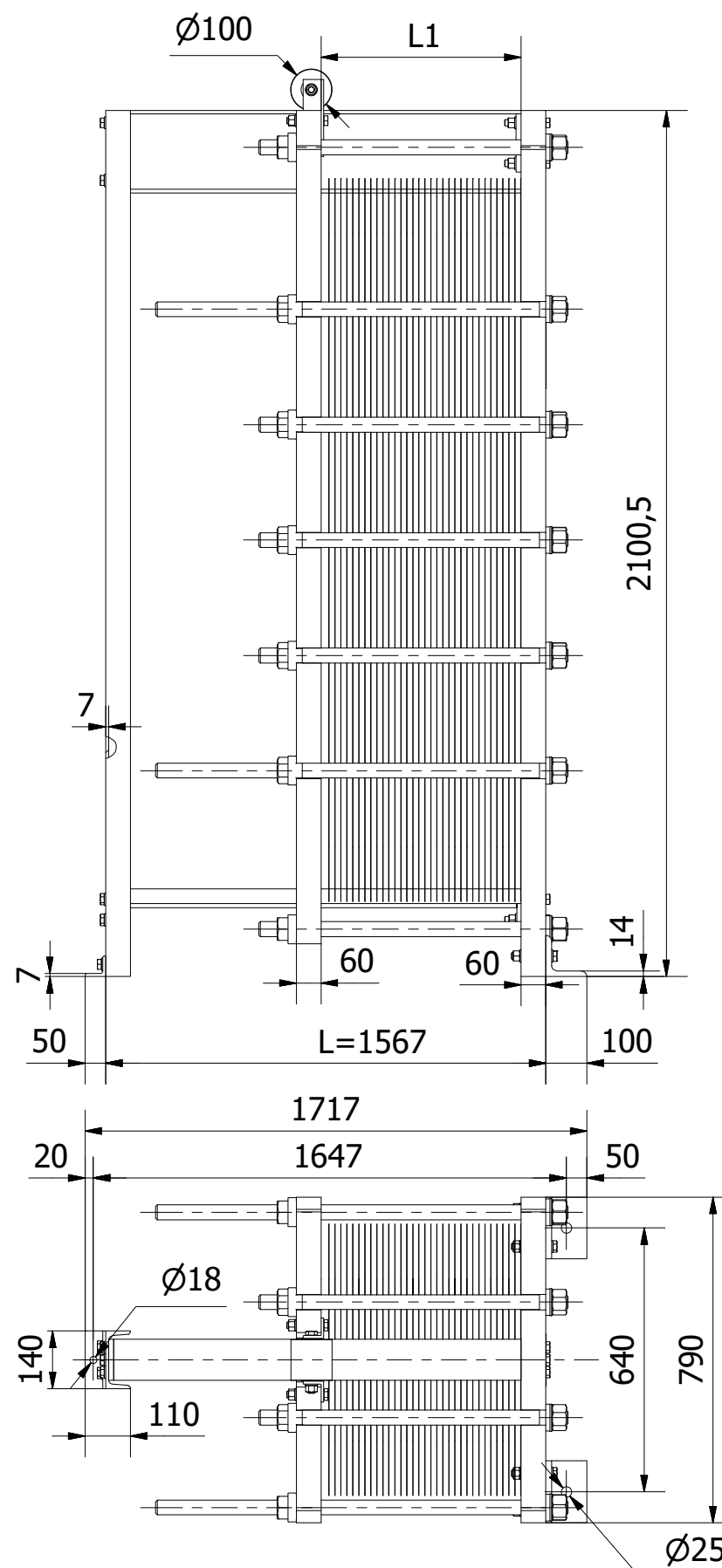
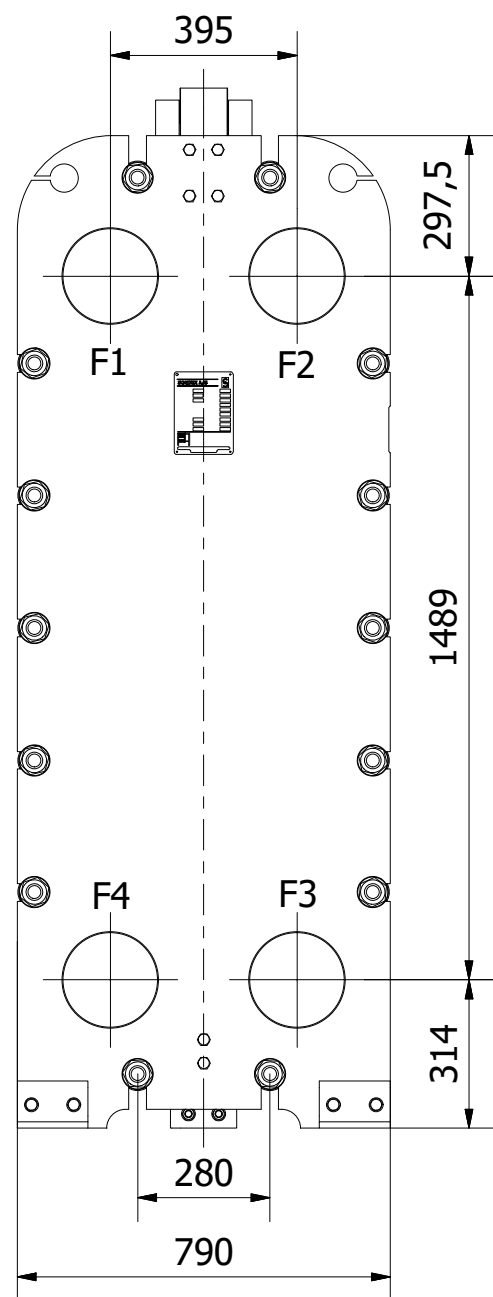
F1-F4
8" ANSI CLASS 150
UNCLADDED

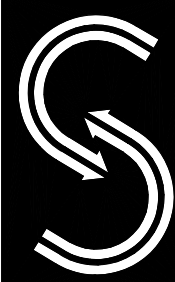


F1-F4 & B1-B4
DN200 DIN2633
CLADDED OR
RUBBERLINED



F1-F4
DN200 DIN2633
UNCLADDED



	Dimensions without tolerance: ISO 2768-m ISO projektion	Designed by JBJE 31-10-2012	Date 31-10-2012	Approved by GIMJ 15-08-2019	Date 15-08-2019	Rev. no. 02	Revision Text added 2 staybolts
	Description: S100 IS PN16 DN200 DIM. DRAWING(H.O) LENGTH 600-4000MM IPE - FEA		Rev. date 14-11-2018	Rev. by BHN	Drawing no. S100-S100AISPN16DN200L600-4000-FEA	Sheet 1 / 1	
	SONDEX Marsvej 5 DK-6000 Kolding						